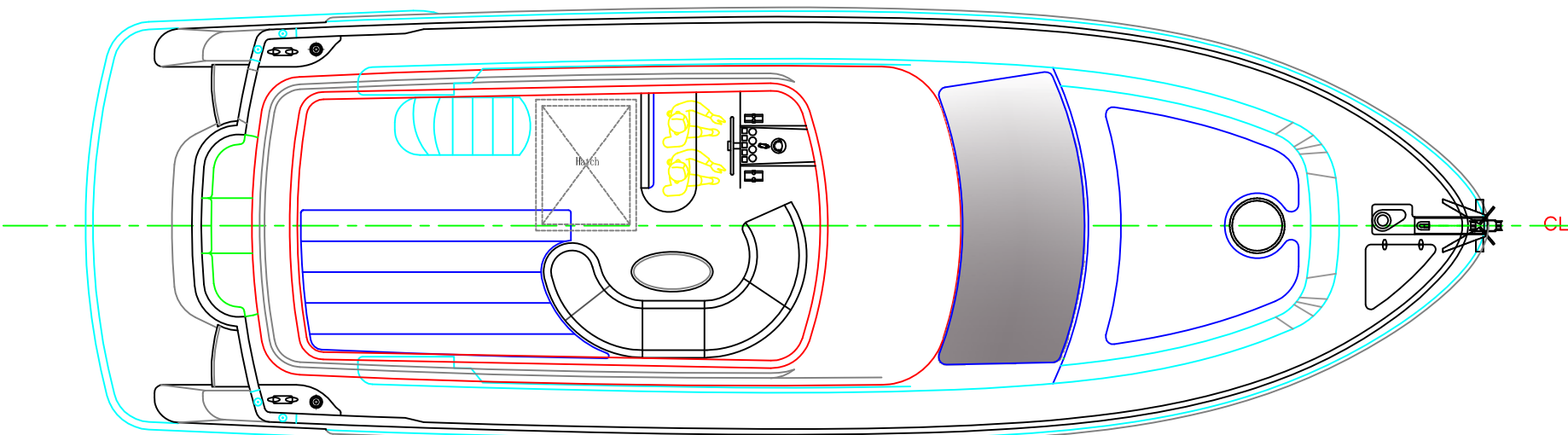
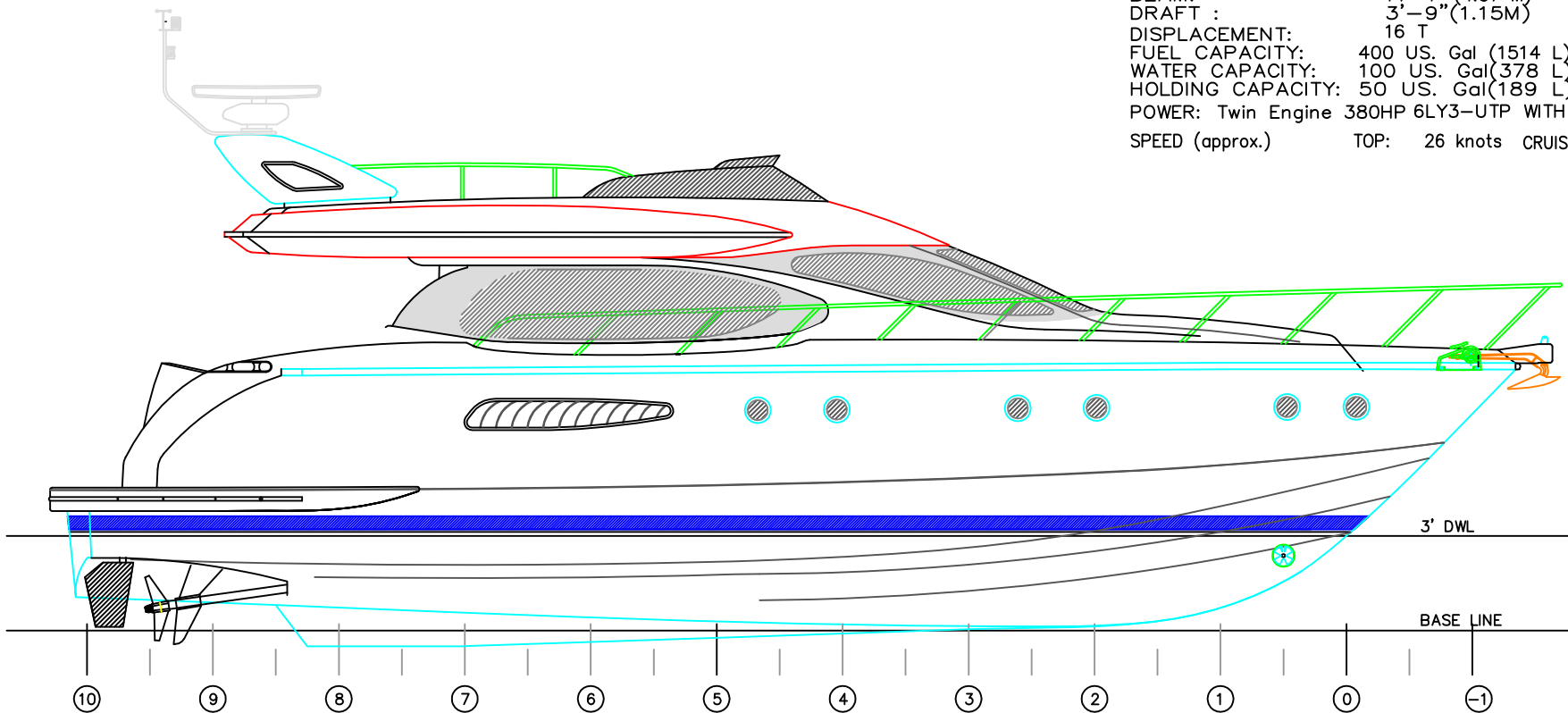


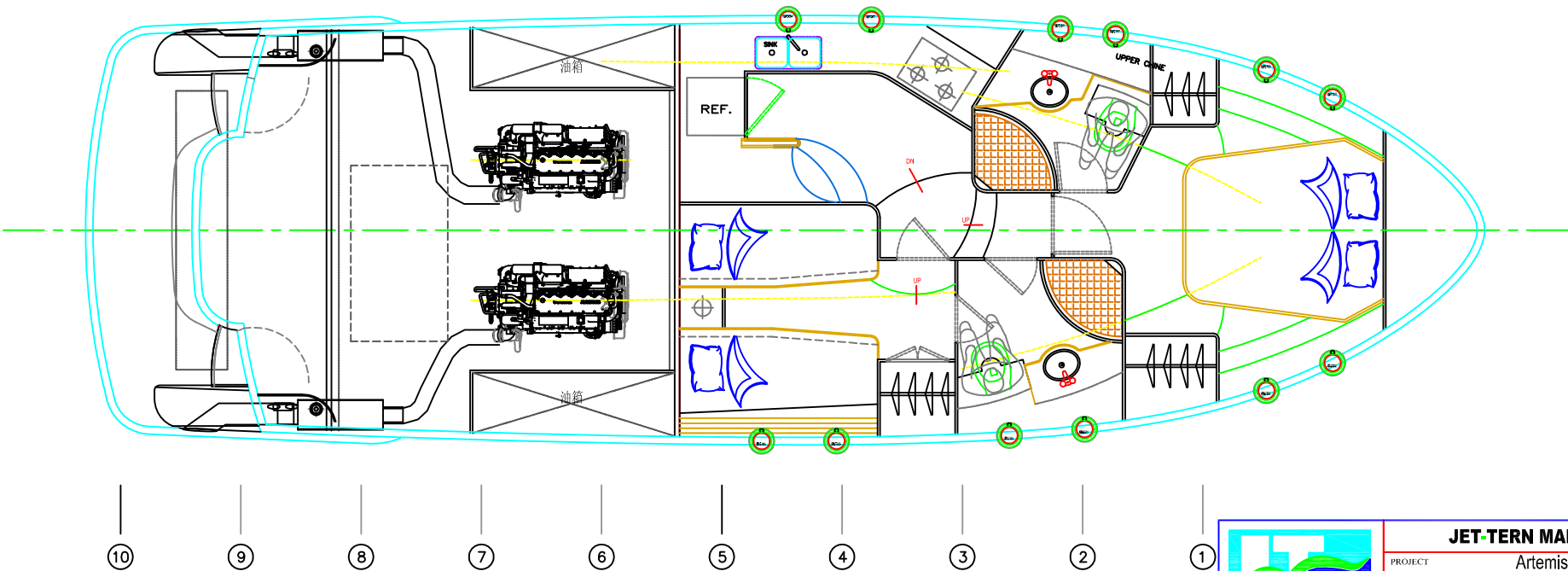
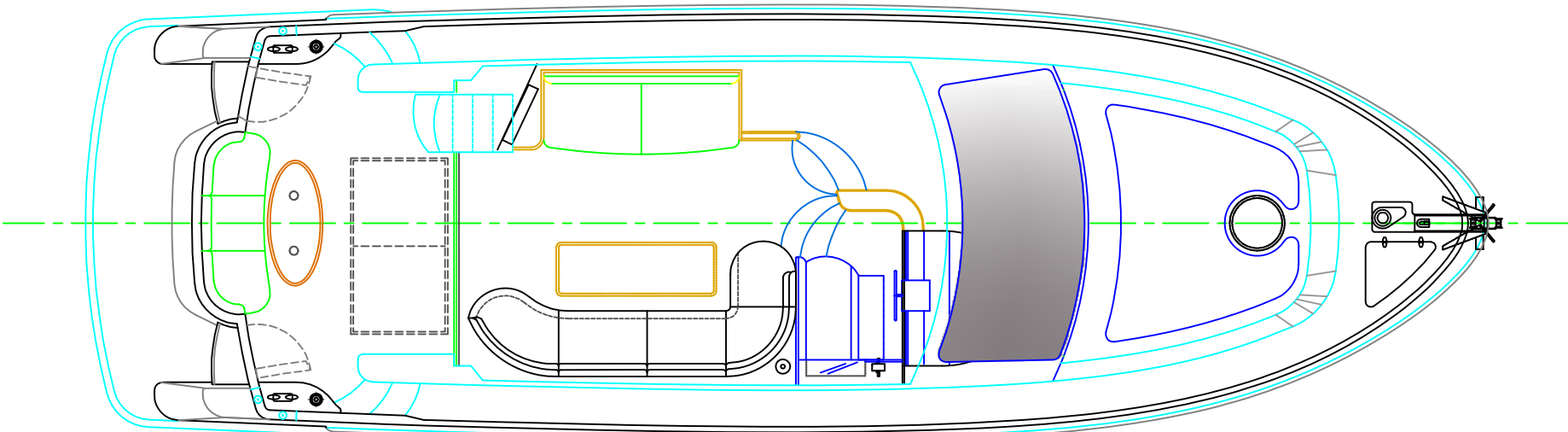
Artemis 46

PRINCIPAL DIMENSIONS

L.O.A.	45'-6" (13.88 M)
L.O.H.	44'-4" (13.5 M)
L.W.L.	38'-11" (11.8 M)
BEAM:	14'-4" (4.37 M)
DRAFT :	3'-9" (1.15M)
DISPLACEMENT:	16 T
FUEL CAPACITY:	400 US. Gal (1514 L)
WATER CAPACITY:	100 US. Gal (378 L)
HOLDING CAPACITY:	50 US. Gal (189 L)
POWER:	Twin Engine 380HP 6LY3-UTP WITH KMH61A
SPEED (approx.)	TOP: 26 knots CRUISING: 20 knots



平面图-望台层



NOTICE
THIS DRAWING MAY INCLUDE OPTIONAL ITEMS. ALL ITEMS INCLUDING DIMENSIONS, TANK CAPACITY & PERFORMANCE DATA ARE APPROXIMATE VALUES ONLY. JET-TERN MARINE RESERVES THE RIGHT TO CHANGE OR MODIFY THE SPECS WITHOUT PRIOR NOTICE.



TEL: 86-769-5919185
FAX: 86-769-5917898
E-MAIL: shiyan@jtm.com.cn

JET-TERN MARINE			
PROJECT	Artemis 46		
TITLE	GENERAL ARRANGEMENT		
DESIGNED BY:	HOWARD CHEN	OWNER:	
Drawn:	HELEN	DEALER:	
CHECKED BY:		DRAWING NO:	
APPROVED BY:	HOWARD CHEN	SCALE:	
DATE:	20090616	UNIT IN:	I A